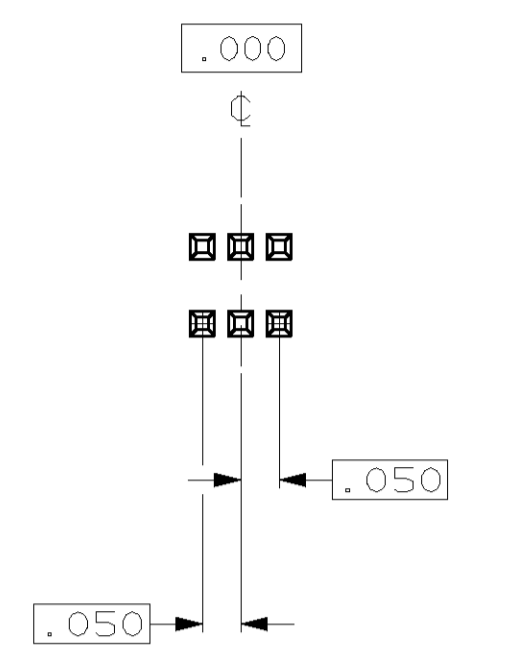
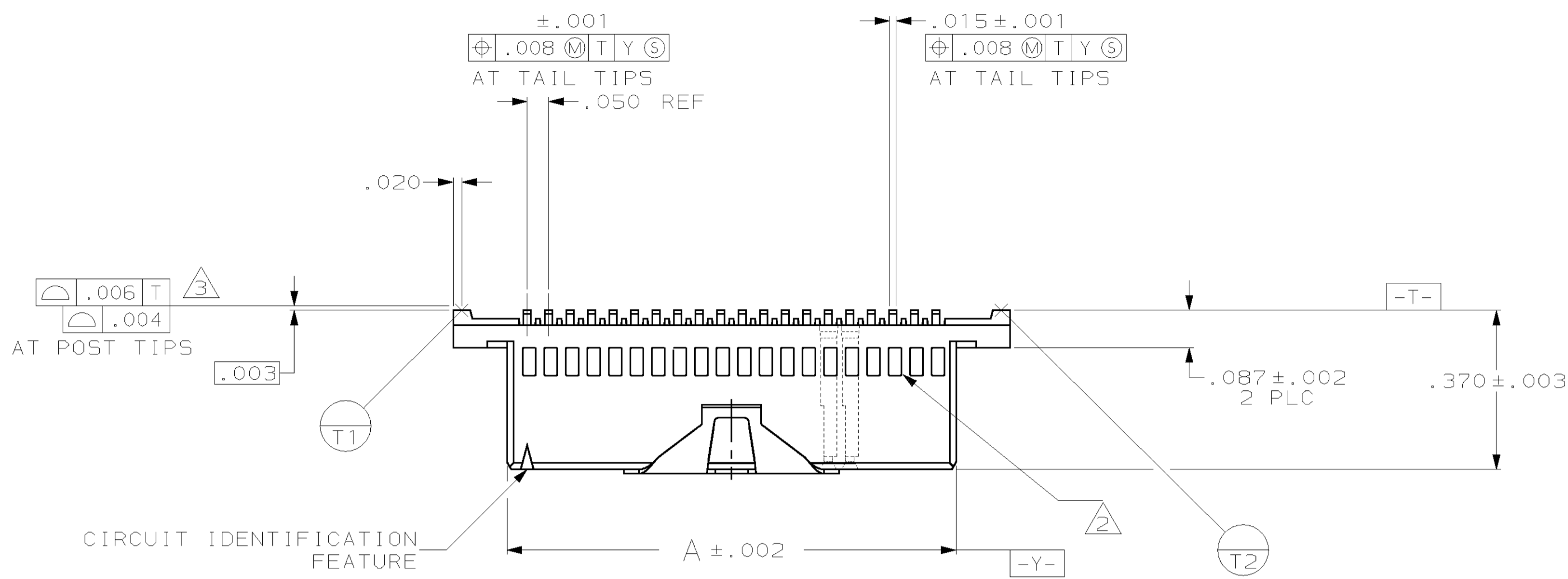
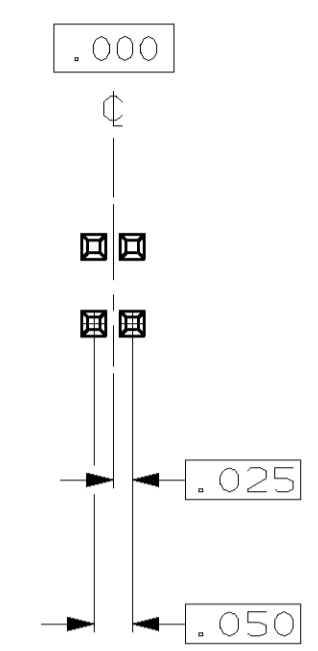


LOC		DIST		REVISIONS			
AD	00	TR	LYR	DESCRIPTION	DATE	DWN	APVD
C	REV PER	OG3C-0569-04			18OCT04	JR	DS



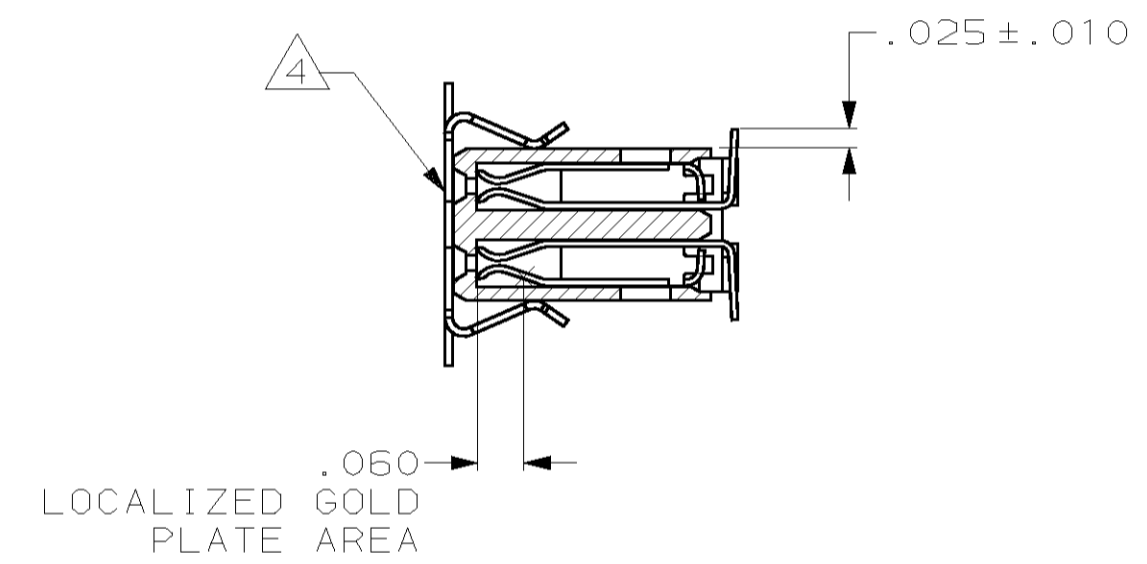
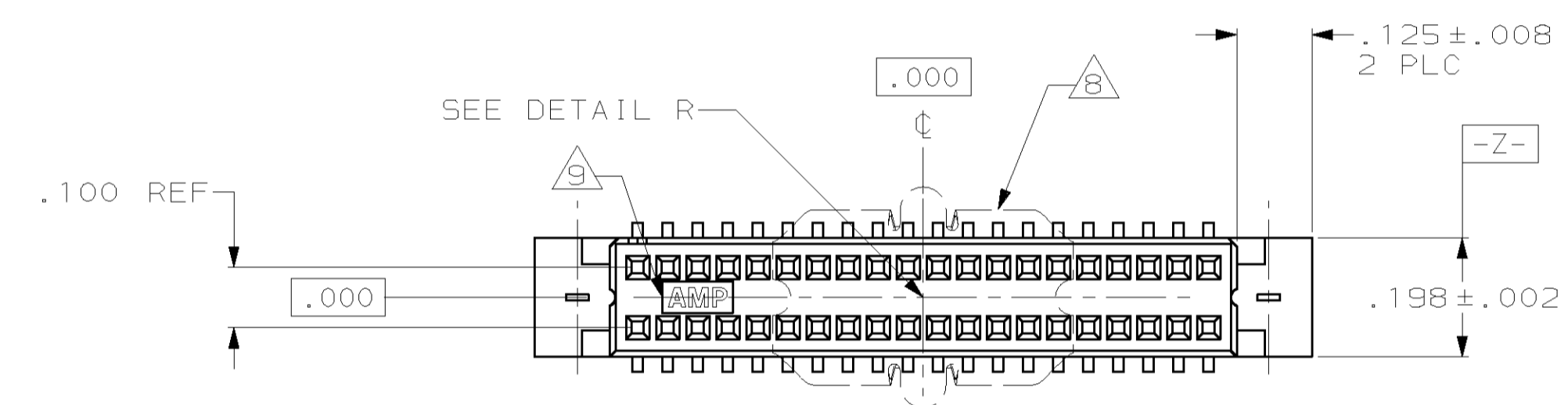
BASIC DIMENSIONS FOR EVEN NUMBER OF SPACES (SEE TABLE)



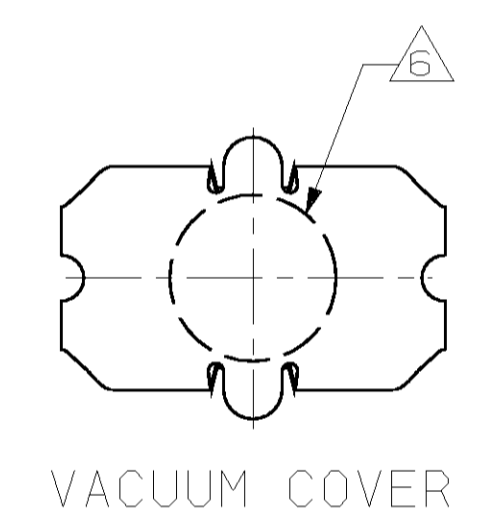
BASIC DIMENSIONS FOR ODD NUMBER OF SPACES (SEE TABLE)

DETAIL R

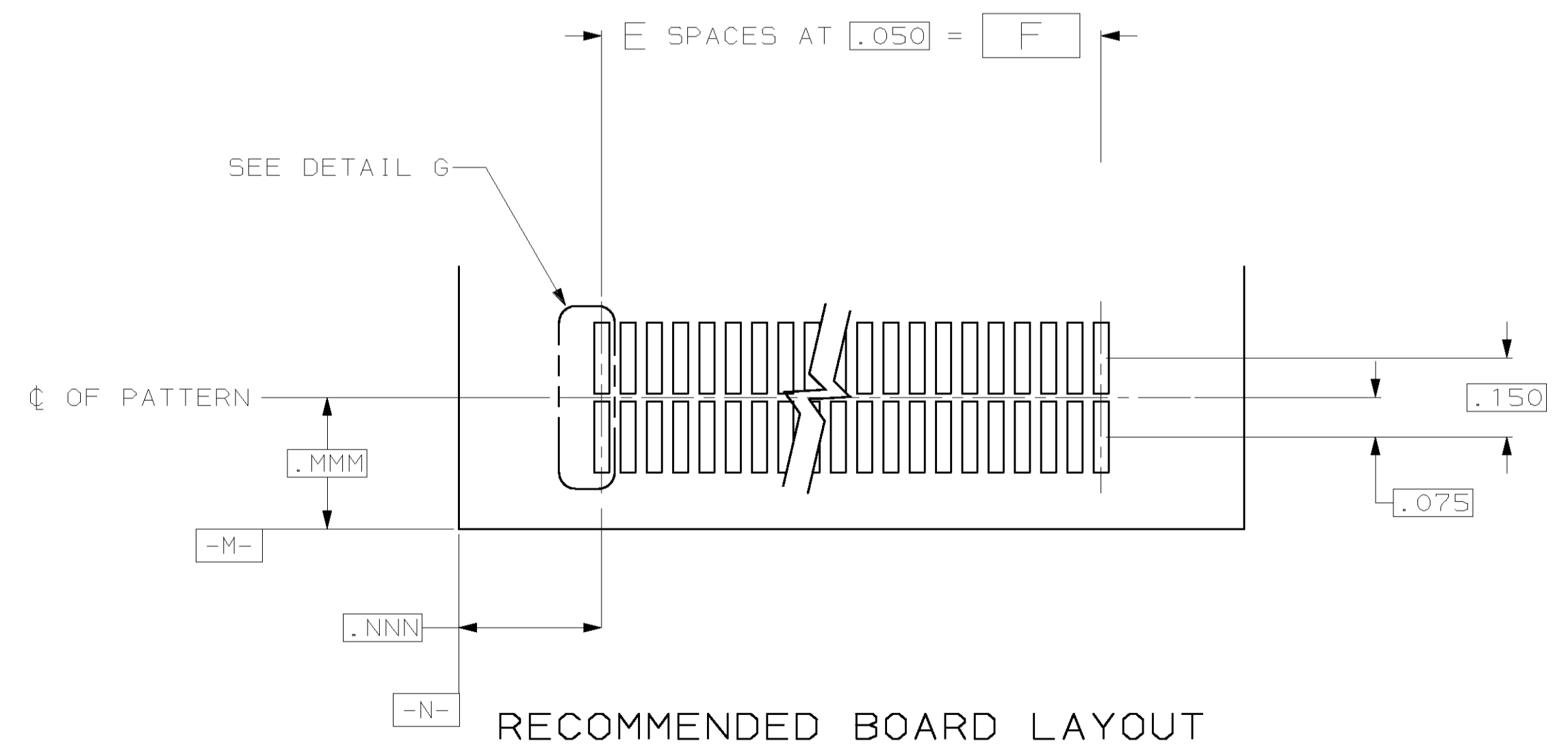
- 1. .000030 GOLD IN LOCALIZED PLATE AREA, .000150 TIN-LEAD ON SOLDER TAILS ALL OVER .000050 NICKEL.
- 2. WINDOWS SHOWN ON SIDE OF HOUSING ARE MOLDERS OPTION.
- 3. REFER TO NO. OF POSN. IN CHART FOR NUMBER OF SURFACES WHICH ARE COPLANAR.
- 4. VACUUM COVER DESIGNED FOR .160 [4mm] DIA NOZZLE. VACUUM COVER TO BE REMOVED AFTER SOLDERING.
- 5. PACKAGED IN TAPE & REEL PER EIA-481 SPECIFICATIONS. SEE CHART FOR TAPE WIDTHS.
- 6. .265 [6.75mm] MIN TARGET AREA FOR VACUUM PICK-UP.
- 7. HOUSING: PPA. CONTACT: PHOSPHOR BRONZE. VACUUM COVER: ALUMINUM.
- 8. VACUUM COVER SHOWN IN PHANTOM LINE.
- 9. AMP LOGO PRESENCE AND LOCATION OPTIONAL.
- 10. .000030 GOLD IN LOCALIZED PLATE AREA, .000150 TIN ON SOLDER TAILS, ALL OVER .000050 NICKEL.



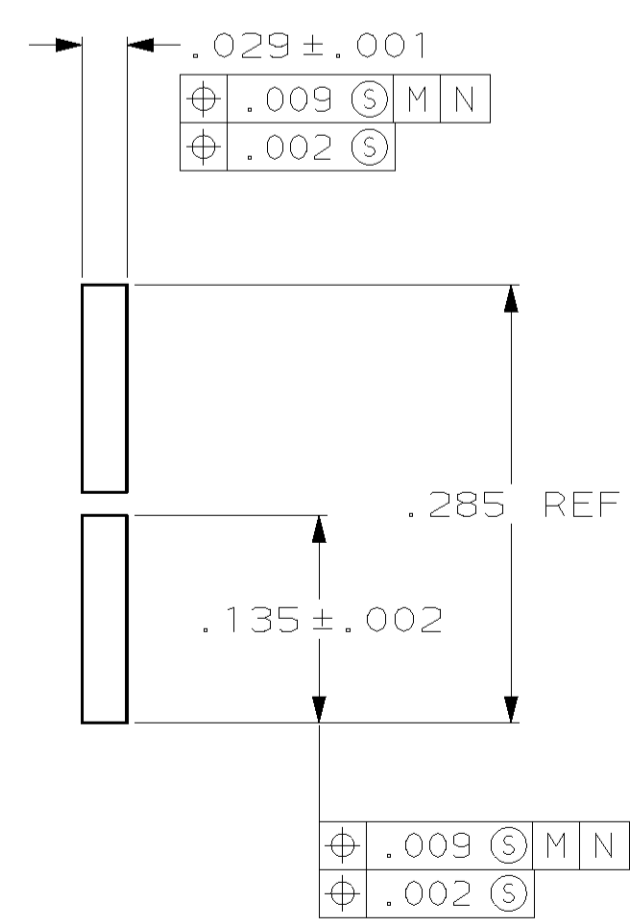
SECTION A-A



VACUUM COVER



RECOMMENDED BOARD LAYOUT



DETAIL G SCALE 8:1

TAPE WIDTH	F	E	A	NO OF POSN	PART NUMBER
44mm	.550	11	.644	24	5-147378-9
88mm	2.450	49	2.544	100	5-147378-8
88mm	1.950	39	2.044	80	5-147378-7
72mm	1.450	29	1.544	60	5-147378-6
56mm	1.200	24	1.294	50	5-147378-5
56mm	.950	19	1.044	40	5-147378-4
44mm	.700	14	.794	30	5-147378-3
32mm	.450	9	.544	20	5-147378-2
32mm	.200	4	.294	10	5-147378-1
44mm	.550	11	.644	24	147378-9
88mm	2.450	49	2.544	100	147378-8
88mm	1.950	39	2.044	80	147378-7
72mm	1.450	29	1.544	60	147378-6
56mm	1.200	24	1.294	50	147378-5
56mm	.950	19	1.044	40	147378-4
44mm	.700	14	.794	30	147378-3
32mm	.450	9	.544	20	147378-2
32mm	.200	4	.294	10	147378-1

THIS DRAWING IS A CONTROLLED DOCUMENT. DWN: B. HAYMAKER 17JAN00
 CIRK: 17JAN00

AMP AMP Incorporated Harrisburg, PA 17105-3608

PRODUCT SPEC: 108-1093
 APPLICATION SPEC: 114-25035

SIZE: A1
 SCALE CODE: 4:1
 DRAWING NO: 00779
 SHEET: 1 OF 1
 REV: C

MATERIAL: - FINISH: -

CUSTOMER DRAWING